

# SPEC SHEET

Dock Shelters

## Series 2200 Soft-Sided Dock Shelter



**GENERAL DESCRIPTION:** The Series 2200 Dock Shelters save energy dollars while providing protection from inclement weather conditions during material handling operations. This series of dock shelters accommodate the widest range of truck and building variations while yielding unobstructed accessibility to the interior of the vehicle. Each of these dock shelters incorporate flexible fabric curtains to “hug” the top and sides of the truck body upon entering the unit. For a “snug fit,” Scotchply™ stays are encased into all faces of the fabric cover while the edges of each side curtain are fitted with a sewn-in compressible neoprene cord to conform to the vehicle body’s irregularities. Foam bottom pads prevent air infiltration at the lower corners and the use of translucent cover panels permit natural light penetration into the loading dock area. Each unit also incorporates high visibility yellow guide stripes to facilitate accurate truck positioning. To ensure maximum durability, the Series 2200 Dock Shelters are available in our superior performance materials. Fairborn created the first certified performance fabrics designed solely for the construction of dock seals and shelters. Our exclusive materials meet or exceed the most demanding requirements and have proven to outperform any other fabric in today’s dock shelter market.

**WARRANTY:** GENERAL: Fairborn USA Inc. extends this limited warranty to the original buyer and warrants that all products manufactured by Fairborn shall be free from original defects in workmanship and materials for one year from date of shipment, provided same have been properly sized for the application, stored, installed, serviced, maintained and operated. This warranty shall not apply to products which have been altered or repaired in any way so as, in Fairborn’s judgment, affects its performance or reliability, nor which have been improperly installed or subjected to misuse, negligence, or accident, or incorrectly used in combination with other substances. Compensation for products having wear and tear caused by normal usage is not provided for by this warranty.

**DYNALON:** in consideration of the same conditions and restrictions as stated above, Dynalon is warranted against the effects of weathering for a period of five years as described within. As part of this agreement the term “weathering” is defined and limited to the effects of sunlight (ultraviolet radiation), water (atmospheric precipitation), cold, and heat. This warranty is not applicable if the Dynalon has been exposed or subjected to corrosive agents, chemicals, or mechanical abuse. In the event that the effects of weathering render the product, constructed of Dynalon, inoperable due to cracking, checking, or ultraviolet breakdown, then Fairborn USA Inc., after inspection and verification, will furnish replacement materials, at no cost to customer, to fix or repair and/ or replace the inoperable components. Fairborn shall not be responsible for the on-site labor, freight, loss of use or any other expense related to the aforementioned claim.

### Standard Features

#### Cover Fabric

Fairborn offers fabrics in a wide range of colors and performance levels. A valued consideration is Dynalon, one of our superior performance materials. Dynalon’s extraordinary life expectancy is attributed in part to its excellence tear and abrasion resistance properties.

#### Wood Frame

The series 2200 head and side frames are select dimensional lumber of the highest grade, pressure treated and kiln dried before and after treating. (Structural steel tubular frame with all welded joints is optional.)

#### Flexible Stays

3-M Scotchply™ stays are incorporated into the head and side curtains to enable the curtains to firmly “hug” the top and sides of the vehicle body. Each stay is through bolted to the frames for a positive attachment point.

#### Cord

The leading edge of each side curtain includes a compressible neoprene cord sewn in place to conform to the vehicle body’s irregularities, providing a “snug fit.”

#### Foam

Fabric covered side members constructed of high density foam enable misaligned vehicles to contact them without causing damage while providing a sturdy component for the side curtains.

#### Face Panel

The face of the foam side member includes a resilient high impact polypropylene to ensure a firm, large displacement area at the point of the stay attachment.

## Standard Features (cont.)

### Fiberglass

Translucent panels permit natural light penetration through the top and side members into the loading dock area. The fiberglass panels are secured to the frames' exterior by the means of self-sealing screws.

### Sloped Head

The 2"x6" head frame is sloped from the center to provide adequate drainage away from the building and the dock area.

### Dyna-Armor

Overlapping, durable fabric panels are located at each end of the head curtain to provide maximum protection from abuse caused by protruding corners at the rear top portion of the vehicle.

### Trim

The front edge of both the head and side frames are fitted with polished aluminum angle trim to perfect the corner appearance.

### Bottom Pads

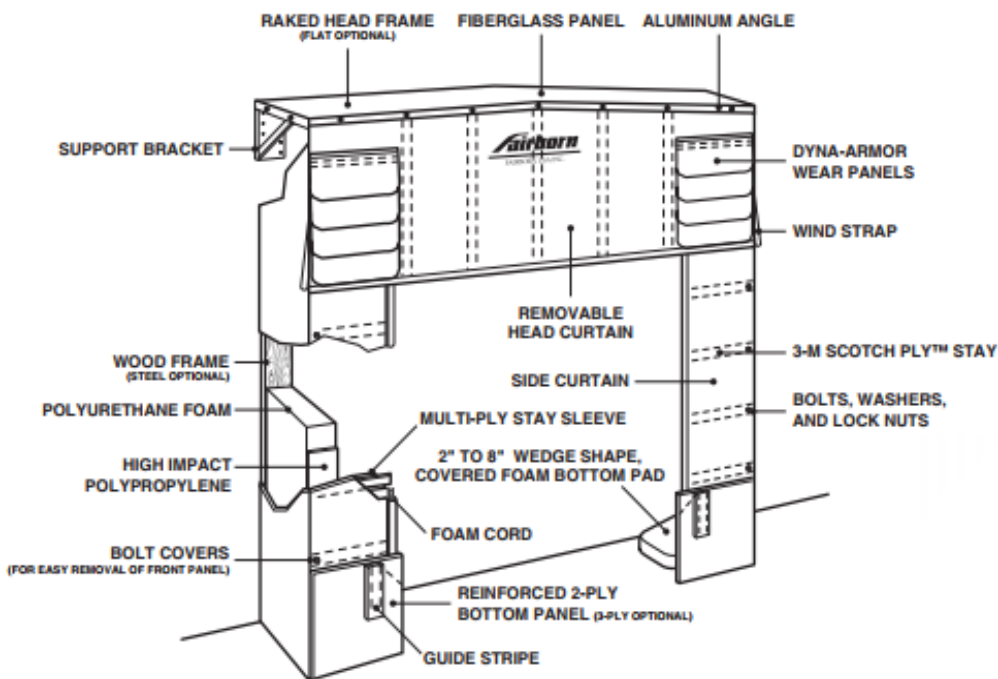
Fabric covered foam pads prevent air infiltration and complete the shelter enclosure.

### Guide Stripe

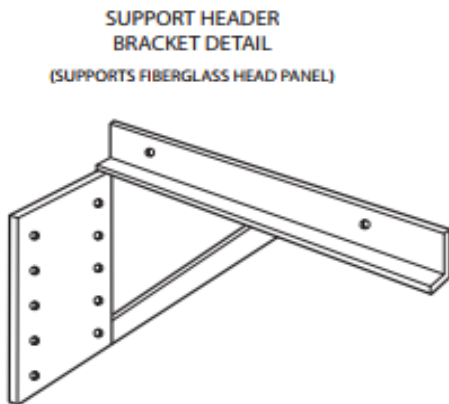
The lower portion of each side curtain includes highly visible yellow stripes to facilitate accurate truck positioning.

### Removable Curtains

Side curtains are attached to the fabric covered foam side members to allow each curtain to be easily removed and replaced for summer ventilation, preventative maintenance or replacement.

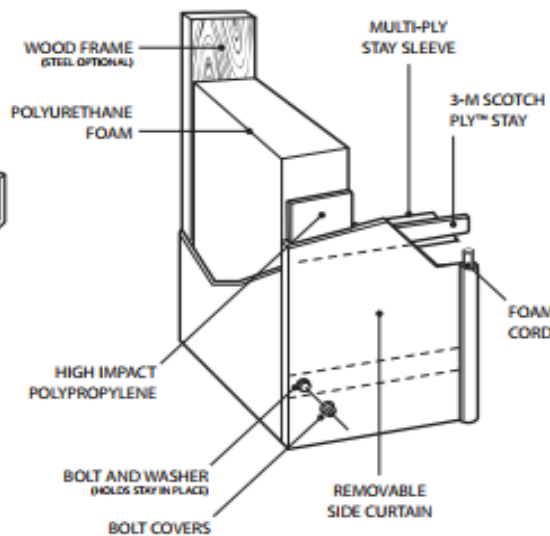


CUT-AWAY CONSTRUCTION DETAIL



HEAD CURTAIN AND SIDE CURTAINS ARE EASILY REMOVED BY SIMPLY TAKING OFF THE BOLT AND BOLT COVERS.

THIS MAKES REPLACING WORN CURTAINS EASY AND EFFICIENT.



## Optional Equipment

- Full "Z" (stay pattern top of side curtain)
- 3-ply bottom reinforcement
- Tubular steel frame
- Painted
- Galvanized
- Flat head frame
- 2x4 Wood
- Tubular Steel
- Pull rope (Rose & pulleys to raise head curtain)
- Bottom filler panel (Ground level units only)

# BODE

MATERIAL HANDLING SOLUTIONS

[www.bodedockanddoor.com](http://www.bodedockanddoor.com)

[www.bodeequipment.com](http://www.bodeequipment.com)

800-797-5699